

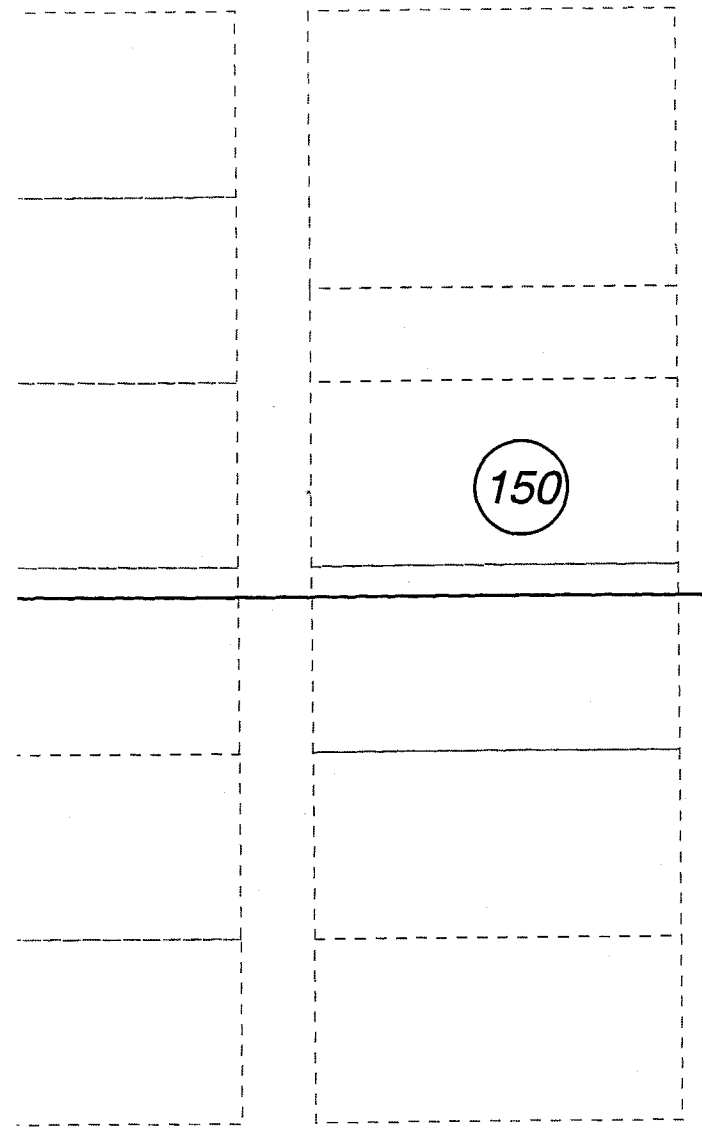
POR. SEC. 3 & 10, T01S, R01W, S.M.

147-250

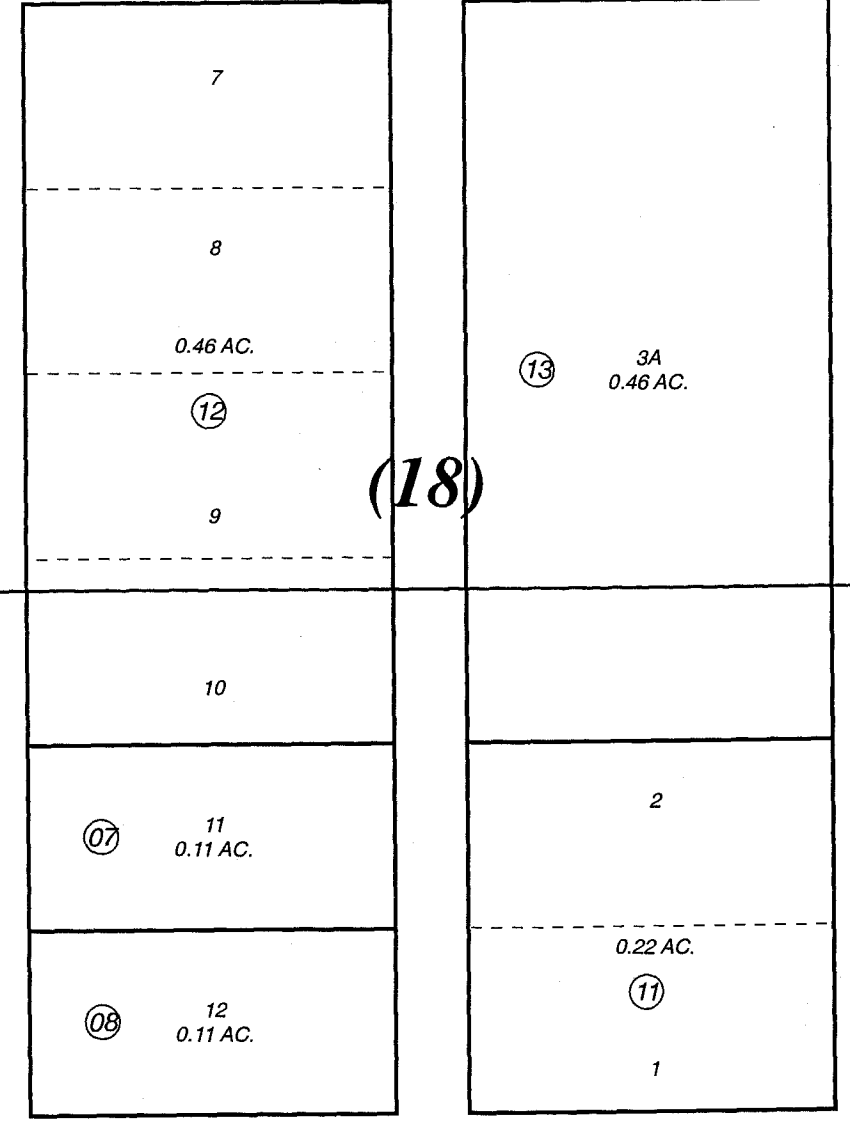
D ST

260

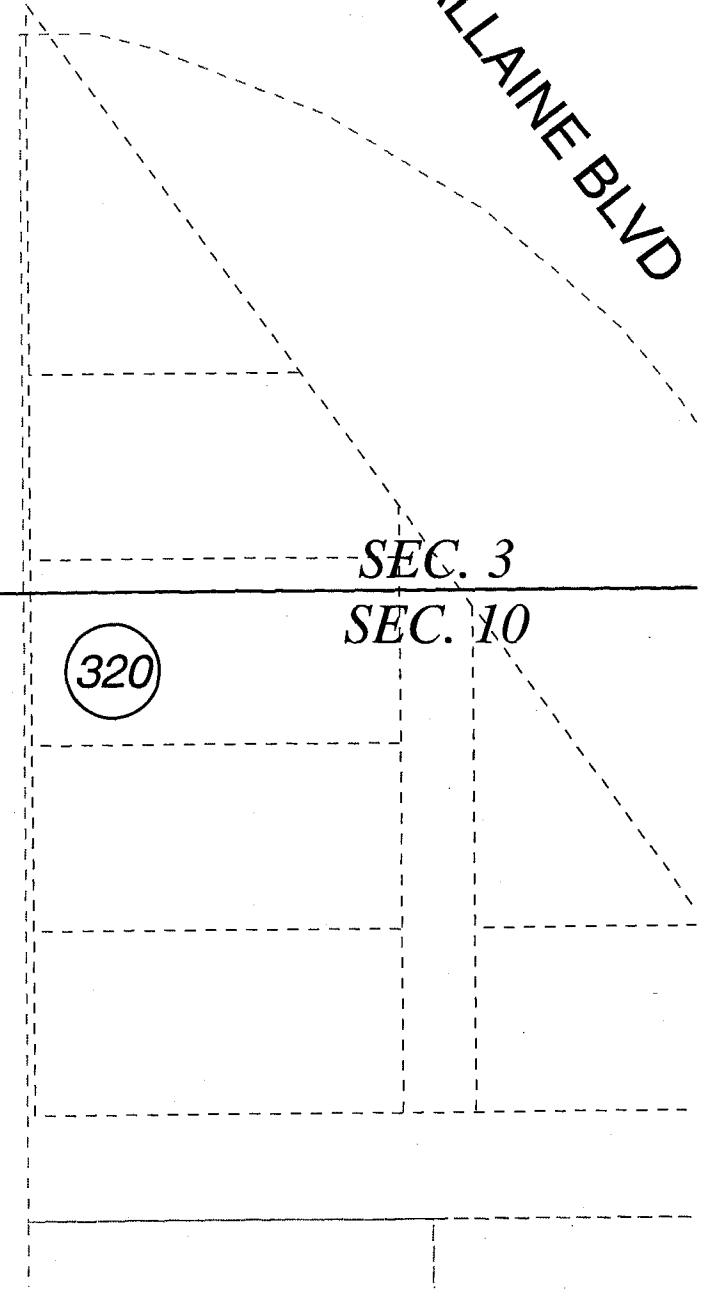
BALLAINE BLVD



THIRD AVE

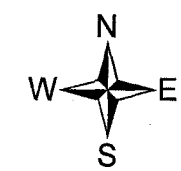


FOURTH AVE



C ST

240



NOVEMBER 17, 2005

For 2006 assessment roll		
Delete	Add	Revise
	To	
9,10	13	

Assessor's Map
Kenai Peninsula Borough

ORIGINAL TOWNSITE OF SEWARD FEDERAL ADDN SW0000004
ORIGINAL TOWNSITE OF SEWARD FEDERAL ADDN ORR REPLAT SW2005018

This map is prepared for Kenai Peninsula Borough Assessing Dept. use only and is not intended for conveyance nor is it a survey.
Note- Assessor's block Numbers Shown in Elipses
Assessor's Parcel Numbers Shown in Circles