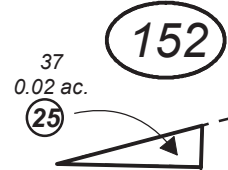
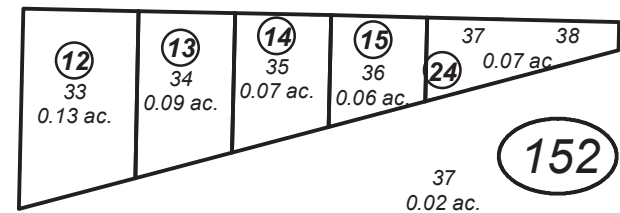
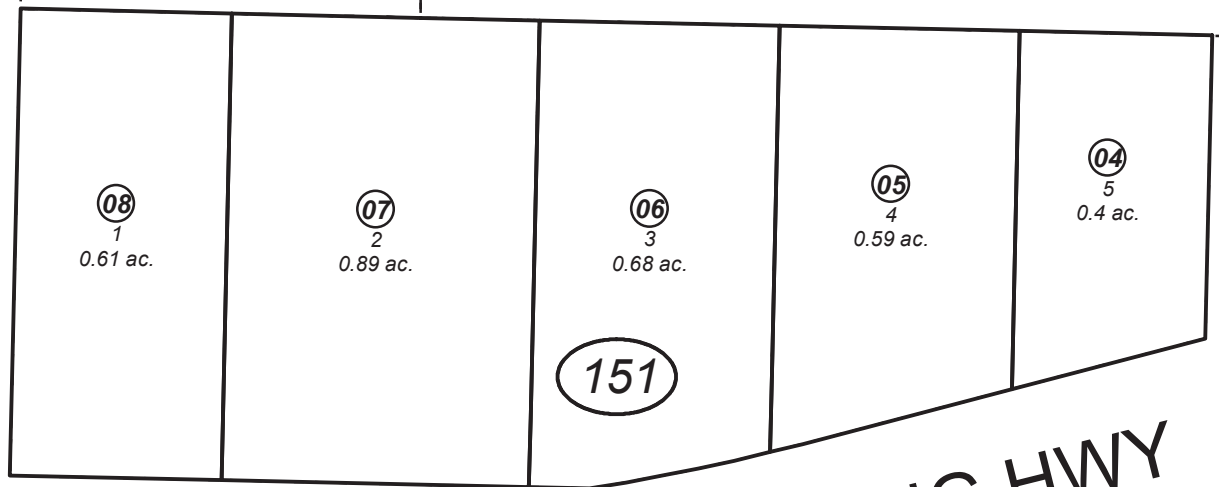


POR NW1/4 SW1/4 SE. 20, T06S, R13W, S.M.

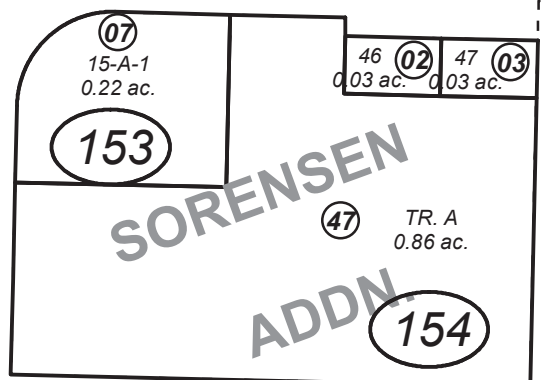
177-150

080

BK
175



STERLING HWY



155

NO. 6
DIVISION

OLD TOWN
COTTAGES ADDN.

160

JANUARY 12, 2018

For 2018 assessment roll		
Delete	Add	Revise
To		
		15307
(ACREAGE CHANGE)		

Assessor's Map
Kenai Peninsula Borough

- W R BENSONS SUB HM0000877
- W R BENSON SUB HM0670365
- W R BENSON SUB AMENDED HM0670365
- W R BENSONS SUB AMENDED HM0670365
- W R BENSONS SUB AMENDED HM0670367
- W R BENSON SUB HM0721224
- W R BENSONS SUB HM0721224
- W R BENSON SUB NO 3 HM0870024
- W R BENSON SUB HALPIN ADDN HM2001068
- W R BENSON SUB SORENSEN ADDN HM2008069

This map is prepared for Kenai Peninsula Borough Assessing Dept. use only and is not intended for conveyance nor is it a survey.

Note- Assessor's block Numbers Shown in Ellipses
Assessor's Parcel Numbers Shown in Circles

